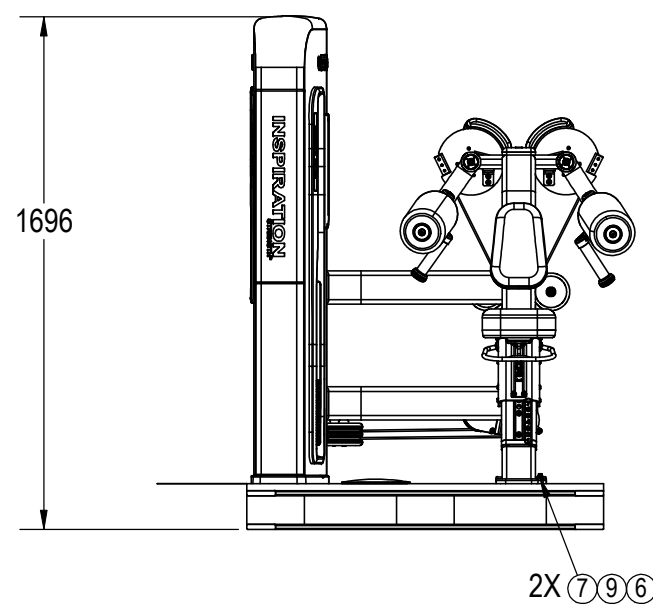
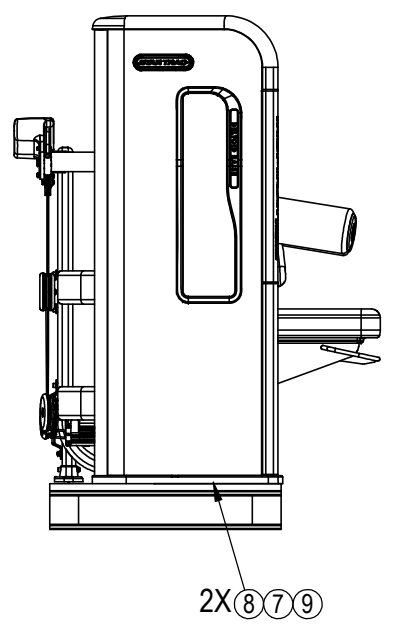
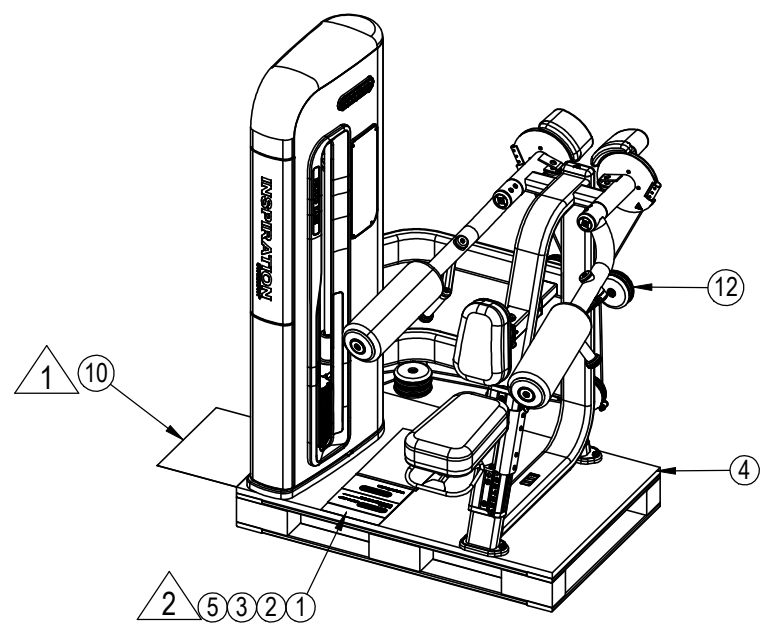
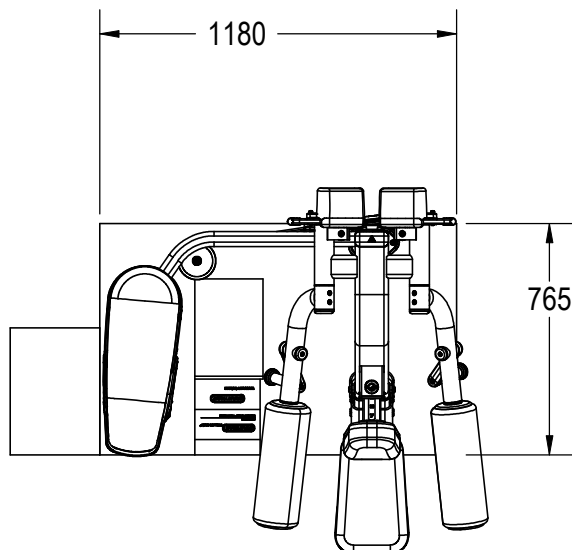


REVISION HISTORY				
REV	DATE	DESCRIPTION	ECO	BY
A	05-19-10	RELEASE FOR PRODUCTION	13288	AE

- NOTES:
- PLACE SHIPPING LABELS (ITEM 10) ON PACKAGED UNIT BEFORE SHRINK WRAPPING, PLACE "LIFT THIS SIDE" STICKER ON WEIGHT STACK END.
 - PLACE ITEMS 1, 2, AND 3 INSIDE ITEM 5.
 - USE ITEMS 6, 7, 8, AND 9 TO SECURE ITEM 12 TO PALLET (ITEM 4), PLACE ITEM 7 AGAINST POWDERCOAT OF ITEM 12.
 - ITEM 12 NOT SHOWN IN PACKAGED CONFIGURATION.



ITEM NO.	PART NUMBER	DESCRIPTION	QTY.
1	620-7935	MANUAL, INSTALL, DELTOID RAISE, IP-S4306	1
2	620-7942	MANUAL, OWNERS, IP	1
3	620-7943	CARD,REG,WARRANTY, IP	1
4	731-0178	PALLET,765 x 1180 x 152	1
5	731-0246	BAG,225mm X 332mm	1
6	731-0256	SCREW,M6,25mm,W,HE,ZP	2
7	731-0294	WASHER,M8,NYLON	4
8	731-0354	SCREW,M8 X 1.25,25MM,HHM,HE	2
9	731-0355	WASHER,PLAIN,M8,NARROW	4
10	731-0895	STICKERS,PACKAGE,DELTOID RAISE	1
11	731-1667	PACKING KIT, DELTOID RAISE	1
12	IP-S4306-XXXXS	ASSY, DELTOID RAISE	1

NOTICE OF PROPRIETARY INFORMATION
 THIS DOCUMENT SHALL NOT BE REPRODUCED NOR SHALL THE INFORMATION CONTAINED HEREIN BE USED BY OR DISCLOSED TO OTHER EXCEPT AS EXPRESSLY AUTHORIZED BY UNISEN INC, D.B.A. STAR TRAC.

**DOCUMENT STATUS:
 RELEASE**

CLASS OF WORK	UNLESS OTHERWISE SPECIFIED DIMS ARE IN mm. TOLERANCES FOR MEASURE OF LENGTH ARE:							ANGLES = ±2°	MATERIAL SEE BOM
	0.5 to 3	>3 to 6	>6 to 30	>30 to 120	>120 to 400	>400 to 1000	>1000 to 2000		
FINE	±0.05	±0.05	±0.1	±0.15	±0.2	±0.3	±0.5	----	FINISH N/A
MEDIUM	±0.1	±0.1	±0.2	±0.3	±0.5	±0.8	±1.2	±2	
COARSE	±0.2	±0.3	±0.5	±0.8	±1.2	±2	±3	±4	
VERY COARSE	----	±0.5	±1	±1.5	±2.5	±4	±6	±8	

VENDOR: **N/A** P/N: **N/A**

THIRD ANGLE PROJECTION		
DRAWN	INITIAL AE	DATE 05/11/10
CHECKED		
APPROVED		

UNISEN, INC. DBA

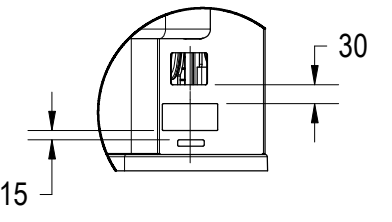
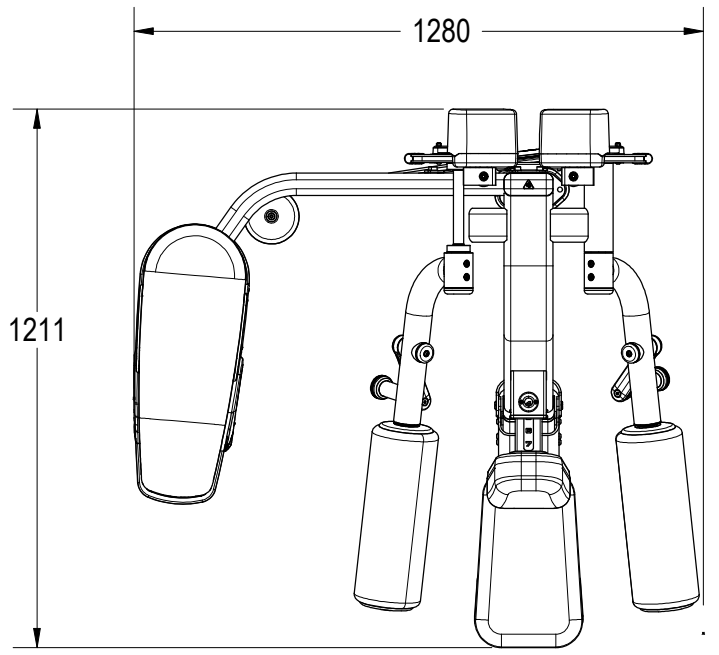
 14410 Myford Road
 Irvine CA 92606

STARTRAC PART NO: **9IP-S4306-XXXXS** REV: **A**

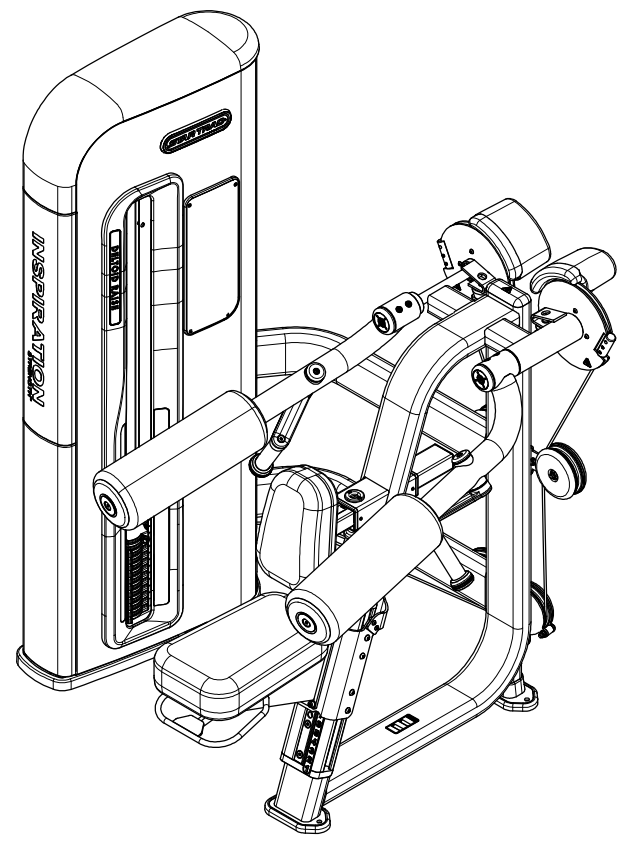
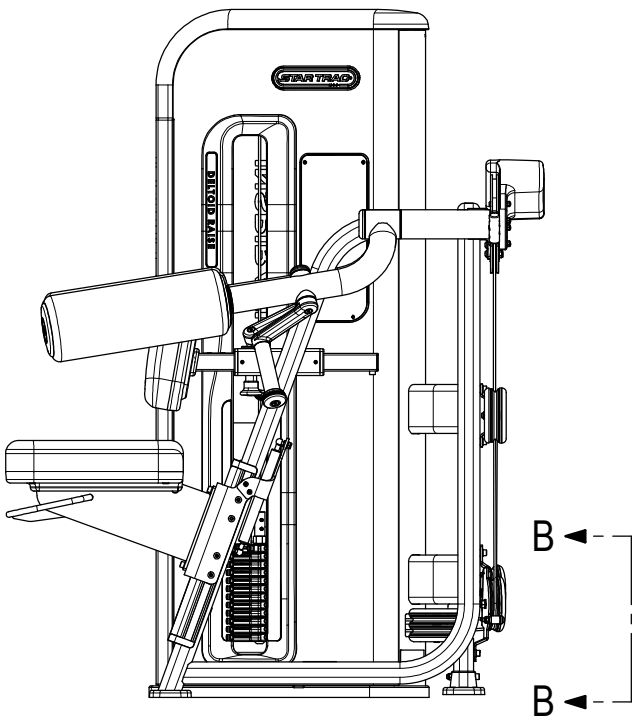
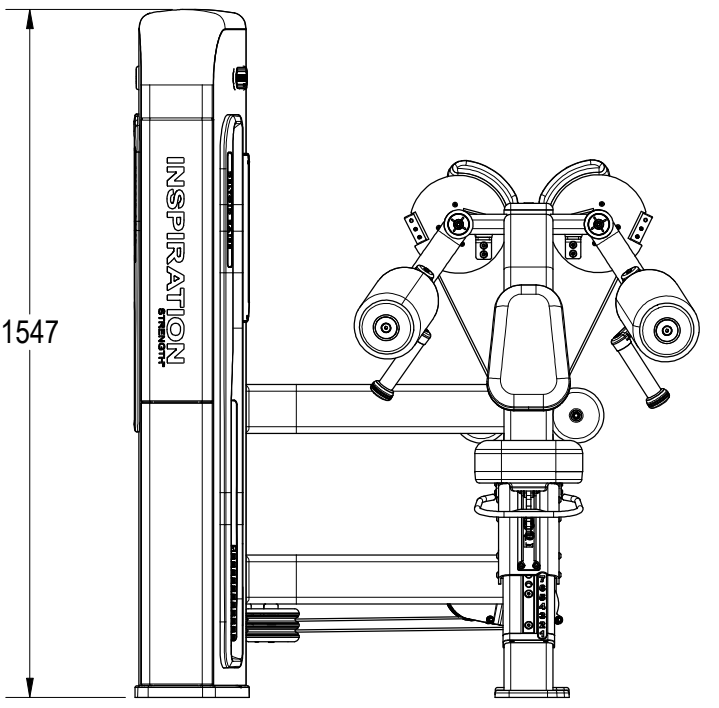
TITLE: **IP,SSS,DELTOID RAISE**

SCALE: 1:25 | SHEET 1 OF 1 | SHEET SIZE: B

REVISION HISTORY				
REV	DATE	DESCRIPTION	ECO	BY
A	06-17-09	RELEASE FOR PRODUCTION	12193	DMM
B	10-07-09	UPDATES THRU PILOT BUILD -- SEE ECO DOC FOR DETAILS	12270	DMM
C	12-02-09	ADDED ITEM 731-0660; ADD C'BORE TO 731-1075 AND SWITCHED TO SHCS	12328	DMM
D	05-19-10	ADDED NOTES 1 & 2, ADDED 731-0509	13269	TD



DETAIL B
SCALE 1 : 12



NOTICE OF PROPRIETARY INFORMATION
THIS DOCUMENT SHALL NOT BE REPRODUCED NOR SHALL THE INFORMATION CONTAINED HEREIN BE USED BY OR DISCLOSED TO OTHER EXCEPT AS EXPRESSLY AUTHORIZED BY UNISEN INC, D.B.A. STAR TRAC.

**DOCUMENT STATUS:
RELEASE**

- NOTES:
- ASSEMBLE AND INSPECT TO SOP 620-7918. D
 - INSTALL Kg STICKER AND AFFIX Lb STICKER TO INSIDE OF SHROUD WITH TAPE. D

CLASS OF WORK	UNLESS OTHERWISE SPECIFIED DIMS ARE IN mm. TOLERANCES FOR MEASURE OF LENGTH ARE:							ANGLES = ±2°
	0.5 to 3	> 3 to 6	> 6 to 30	> 30 to 120	> 120 to 400	> 400 to 1000	> 1000 to 2000	
FINE	±0.05	±0.05	±0.1	±0.15	±0.2	±0.3	±0.5	----
MEDIUM X	±0.1	±0.1	±0.2	±0.3	±0.5	±0.8	±1.2	±2
COARSE	±0.2	±0.3	±0.5	±0.8	±1.2	±2	±3	±4
VERY COARSE	----	±0.5	±1	±1.5	±2.5	±4	±6	±8

MATERIAL
SEE BOM ON SHEET 2

FINISH
N/A

VENDOR: **N/A** P/N: **N/A**

THIRD ANGLE PROJECTION		
DRAWN	INITIAL DMM	DATE 06/09/09
CHECKED		
APPROVED		
	U.O.M.	MM

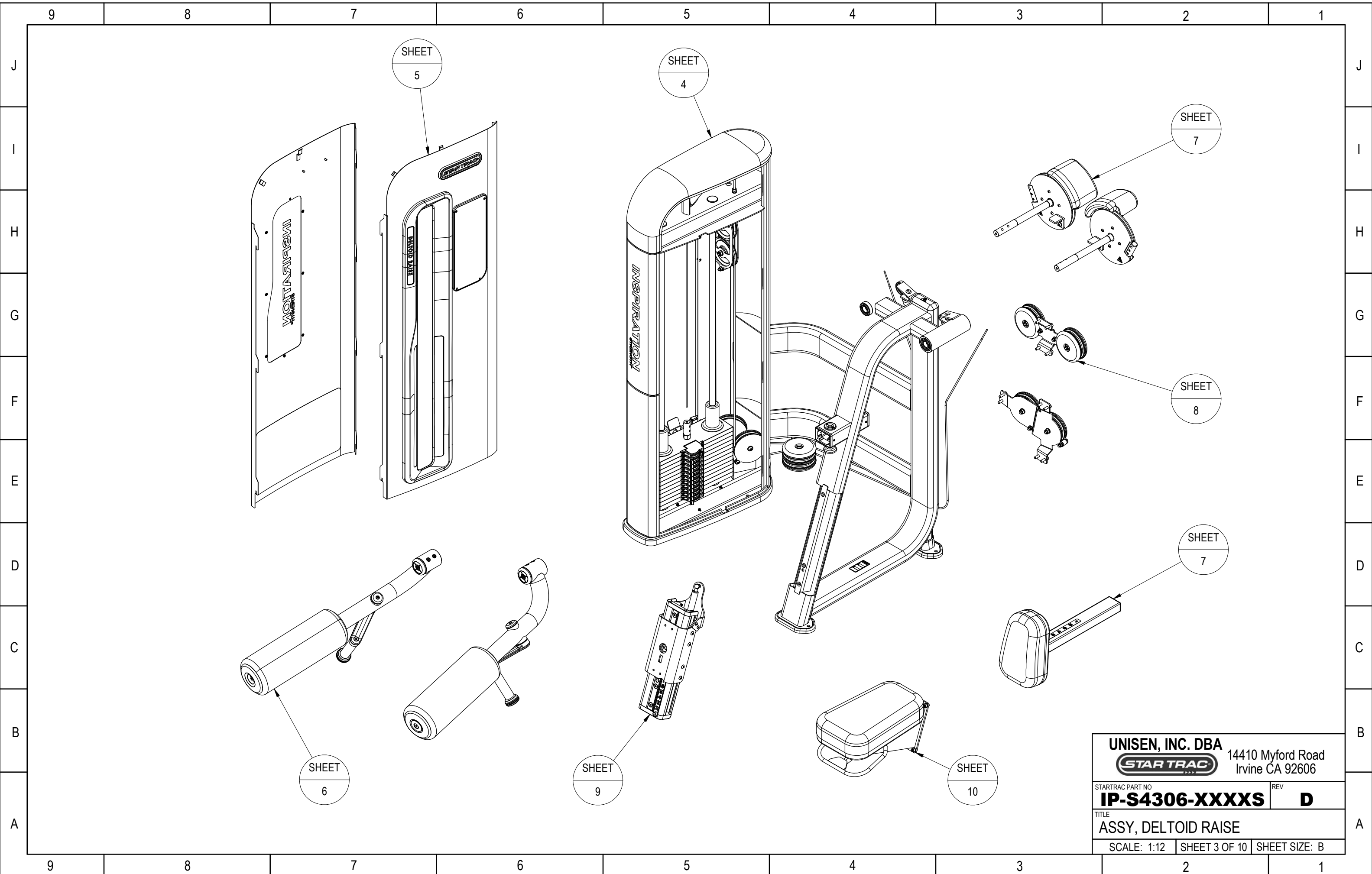
UNISEN, INC. DBA
STAR TRAC
14410 Myford Road
Irvine CA 92606

STARTRAC PART NO
IP-S4306-XXXXS REV **D**

TITLE
ASSY, DELTOID RAISE

SCALE: 1:17 SHEET 1 OF 10 SHEET SIZE: B

9				8				7				6				5				4				3				2				1																																																																																																																															
J	ITEM NO.	PART NO.	DESCRIPTION	731	ITEM NO.	PART NO.	DESCRIPTION	731	ITEM NO.	PART NO.	DESCRIPTION	731	ITEM NO.	PART NO.	DESCRIPTION	731	ITEM NO.	PART NO.	DESCRIPTION	731	ITEM NO.	PART NO.	DESCRIPTION	731	ITEM NO.	PART NO.	DESCRIPTION	731	ITEM NO.	PART NO.	DESCRIPTION	731	ITEM NO.	PART NO.	DESCRIPTION	731																																																																																																																											
	1	731-0001	WASHER, 20mm X 7mm X 1mm	2	45	731-0389	SCREW,M8 X 1.25,35mm,BHC,HK	4	89	731-0637	RING,BEAUTY,ADJ,PAD	1	90	731-0638	SUPPORT,TUBE,ADJ,CHEST	2	91	731-0642-00XX	ASSY, CHEST PAD, ROW	1	92	731-0643	PLUG, TUBE, 60MM X 40MM	1	93	731-0646	STICKER, 1-7, 210MM X 14MM	1	94	731-0652	ASSY,PULL PIN,ADJ,RED	1	95	731-0660	STICKER,AXIS/ROTATION,END CAP	2	96	731-0731	ASSY,PULLEY,Ø120MM,CABLE	8	97	731-0804-XX	ASSY, SHROUD, INSIDE	1	98	731-0805-XX	ASSY, SHROUD, OUTER	1	99	731-0811-XX	PLATE, COVER, PULLEY, CUT	1	100	731-0828	ASSY,WINDOW,OUTSIDE	1	101	731-0867	SHROUD, SEAT BOTTOM, VERT. ROW	1	102	731-0869	SCREW,M6 X1.0, 25mm, BHS,HK	2	103	731-0870	SHROUD, CHEST PAD, ROW	1	104	731-0922	NUT, M8X1.25, JAM	2	105	731-0972	CAP,FASTENER,THIGH PAD	2	106	731-0973	CAP, THIGH PAD, THRU	2	107	731-0977	ASSY, SEAT RELEASE	1	108	731-0979-XX	WELD, MOUNT, SEAT, LPD	1	109	731-1080-XX	WELD, MAIN FRAME, DELTOID RAISE	1	110	731-1246-00XX	ASSY, ARM PAD, DR	2	111	731-1306	WELD, MOUNT, CHEST PAD, 10 DEG	1	112	731-1308	GUIDE, CHEST PAD, 10 DEG, DELT	1	113	731-1310	WELD, CAM LOAD, RT, DELT	1	114	731-1312	PLATE, COVER, CAM, DELT	4	115	731-1313-XX	BRACKET, PULLEY MOUNT DELT	1	116	731-1316	WELD, CAM LOAD, LT, DELT	1	117	731-1322	COUNTERWEIGHT, DELT RAISE	2	118	731-1332-XX	BRACKET, DUAL PULLEY, DELT RAISE	1	119	731-1349	ASSY, GRIP HANDLE, DELT	2	120	731-1355	BEARING, ROLLER, SEALED, 6202_2R	4	121	731-1357	CAP, BEARING 1 3/4 RND	2	122	731-1359-XX	WELD, ARM PAD, DELT RAISE	2	123	731-1361	WASHER, 32 X 26 X 1.5	4	124	731-1362	SCREW,M6X1.0,45MM,BHC,HK	8	125	731-1363	NUT, M6X1.0, NYLOC	8	126	731-1429	STOP,ROM,DELT
I	3	731-0021	SHOE,75X147.7	2	47	731-0397	SCREW,M8 X 1.25,25mm,FHM,HK	3	91	731-0642-00XX	ASSY, CHEST PAD, ROW	1	92	731-0643	PLUG, TUBE, 60MM X 40MM	1	93	731-0646	STICKER, 1-7, 210MM X 14MM	1	94	731-0652	ASSY,PULL PIN,ADJ,RED	1	95	731-0660	STICKER,AXIS/ROTATION,END CAP	2	96	731-0731	ASSY,PULLEY,Ø120MM,CABLE	8	97	731-0804-XX	ASSY, SHROUD, INSIDE	1	98	731-0805-XX	ASSY, SHROUD, OUTER	1	99	731-0811-XX	PLATE, COVER, PULLEY, CUT	1	100	731-0828	ASSY,WINDOW,OUTSIDE	1	101	731-0867	SHROUD, SEAT BOTTOM, VERT. ROW	1	102	731-0869	SCREW,M6 X1.0, 25mm, BHS,HK	2	103	731-0870	SHROUD, CHEST PAD, ROW	1	104	731-0922	NUT, M8X1.25, JAM	2	105	731-0972	CAP,FASTENER,THIGH PAD	2	106	731-0973	CAP, THIGH PAD, THRU	2	107	731-0977	ASSY, SEAT RELEASE	1	108	731-0979-XX	WELD, MOUNT, SEAT, LPD	1	109	731-1080-XX	WELD, MAIN FRAME, DELTOID RAISE	1	110	731-1246-00XX	ASSY, ARM PAD, DR	2	111	731-1306	WELD, MOUNT, CHEST PAD, 10 DEG	1	112	731-1308	GUIDE, CHEST PAD, 10 DEG, DELT	1	113	731-1310	WELD, CAM LOAD, RT, DELT	1	114	731-1312	PLATE, COVER, CAM, DELT	4	115	731-1313-XX	BRACKET, PULLEY MOUNT DELT	1	116	731-1316	WELD, CAM LOAD, LT, DELT	1	117	731-1322	COUNTERWEIGHT, DELT RAISE	2	118	731-1332-XX	BRACKET, DUAL PULLEY, DELT RAISE	1	119	731-1349	ASSY, GRIP HANDLE, DELT	2	120	731-1355	BEARING, ROLLER, SEALED, 6202_2R	4	121	731-1357	CAP, BEARING 1 3/4 RND	2	122	731-1359-XX	WELD, ARM PAD, DELT RAISE	2	123	731-1361	WASHER, 32 X 26 X 1.5	4	124	731-1362	SCREW,M6X1.0,45MM,BHC,HK	8	125	731-1363	NUT, M6X1.0, NYLOC	8	126	731-1429	STOP,ROM,DELT	2							
H	8	731-0113	ASSY,2.5Kg,ADD ON	1	52	731-0480	STICKER,LENTICULAR,DELT RAISE	1	96	731-0731	ASSY,PULLEY,Ø120MM,CABLE	8	97	731-0804-XX	ASSY, SHROUD, INSIDE	1	98	731-0805-XX	ASSY, SHROUD, OUTER	1	99	731-0811-XX	PLATE, COVER, PULLEY, CUT	1	100	731-0828	ASSY,WINDOW,OUTSIDE	1	101	731-0867	SHROUD, SEAT BOTTOM, VERT. ROW	1	102	731-0869	SCREW,M6 X1.0, 25mm, BHS,HK	2	103	731-0870	SHROUD, CHEST PAD, ROW	1	104	731-0922	NUT, M8X1.25, JAM	2	105	731-0972	CAP,FASTENER,THIGH PAD	2	106	731-0973	CAP, THIGH PAD, THRU	2	107	731-0977	ASSY, SEAT RELEASE	1	108	731-0979-XX	WELD, MOUNT, SEAT, LPD	1	109	731-1080-XX	WELD, MAIN FRAME, DELTOID RAISE	1	110	731-1246-00XX	ASSY, ARM PAD, DR	2	111	731-1306	WELD, MOUNT, CHEST PAD, 10 DEG	1	112	731-1308	GUIDE, CHEST PAD, 10 DEG, DELT	1	113	731-1310	WELD, CAM LOAD, RT, DELT	1	114	731-1312	PLATE, COVER, CAM, DELT	4	115	731-1313-XX	BRACKET, PULLEY MOUNT DELT	1	116	731-1316	WELD, CAM LOAD, LT, DELT	1	117	731-1322	COUNTERWEIGHT, DELT RAISE	2	118	731-1332-XX	BRACKET, DUAL PULLEY, DELT RAISE	1	119	731-1349	ASSY, GRIP HANDLE, DELT	2	120	731-1355	BEARING, ROLLER, SEALED, 6202_2R	4	121	731-1357	CAP, BEARING 1 3/4 RND	2	122	731-1359-XX	WELD, ARM PAD, DELT RAISE	2	123	731-1361	WASHER, 32 X 26 X 1.5	4	124	731-1362	SCREW,M6X1.0,45MM,BHC,HK	8	125	731-1363	NUT, M6X1.0, NYLOC	8	126	731-1429	STOP,ROM,DELT	2																											
G	10	731-0121	ASSY,STOP,ADD ON	1	54	731-0504	STICKER, WGT, 5, 60Kg	1	98	731-0805-XX	ASSY, SHROUD, OUTER	1	99	731-0811-XX	PLATE, COVER, PULLEY, CUT	1	100	731-0828	ASSY,WINDOW,OUTSIDE	1	101	731-0867	SHROUD, SEAT BOTTOM, VERT. ROW	1	102	731-0869	SCREW,M6 X1.0, 25mm, BHS,HK	2	103	731-0870	SHROUD, CHEST PAD, ROW	1	104	731-0922	NUT, M8X1.25, JAM	2	105	731-0972	CAP,FASTENER,THIGH PAD	2	106	731-0973	CAP, THIGH PAD, THRU	2	107	731-0977	ASSY, SEAT RELEASE	1	108	731-0979-XX	WELD, MOUNT, SEAT, LPD	1	109	731-1080-XX	WELD, MAIN FRAME, DELTOID RAISE	1	110	731-1246-00XX	ASSY, ARM PAD, DR	2	111	731-1306	WELD, MOUNT, CHEST PAD, 10 DEG	1	112	731-1308	GUIDE, CHEST PAD, 10 DEG, DELT	1	113	731-1310	WELD, CAM LOAD, RT, DELT	1	114	731-1312	PLATE, COVER, CAM, DELT	4	115	731-1313-XX	BRACKET, PULLEY MOUNT DELT	1	116	731-1316	WELD, CAM LOAD, LT, DELT	1	117	731-1322	COUNTERWEIGHT, DELT RAISE	2	118	731-1332-XX	BRACKET, DUAL PULLEY, DELT RAISE	1	119	731-1349	ASSY, GRIP HANDLE, DELT	2	120	731-1355	BEARING, ROLLER, SEALED, 6202_2R	4	121	731-1357	CAP, BEARING 1 3/4 RND	2	122	731-1359-XX	WELD, ARM PAD, DELT RAISE	2	123	731-1361	WASHER, 32 X 26 X 1.5	4	124	731-1362	SCREW,M6X1.0,45MM,BHC,HK	8	125	731-1363	NUT, M6X1.0, NYLOC	8	126	731-1429	STOP,ROM,DELT	2																																			
F	11	731-0124	CAP,GUIDE ROD,RUBBER	2	55	731-0509	STICKER,SWITCH,INC ADJ	1	99	731-0811-XX	PLATE, COVER, PULLEY, CUT	1	100	731-0828	ASSY,WINDOW,OUTSIDE	1	101	731-0867	SHROUD, SEAT BOTTOM, VERT. ROW	1	102	731-0869	SCREW,M6 X1.0, 25mm, BHS,HK	2	103	731-0870	SHROUD, CHEST PAD, ROW	1	104	731-0922	NUT, M8X1.25, JAM	2	105	731-0972	CAP,FASTENER,THIGH PAD	2	106	731-0973	CAP, THIGH PAD, THRU	2	107	731-0977	ASSY, SEAT RELEASE	1	108	731-0979-XX	WELD, MOUNT, SEAT, LPD	1	109	731-1080-XX	WELD, MAIN FRAME, DELTOID RAISE	1	110	731-1246-00XX	ASSY, ARM PAD, DR	2	111	731-1306	WELD, MOUNT, CHEST PAD, 10 DEG	1	112	731-1308	GUIDE, CHEST PAD, 10 DEG, DELT	1	113	731-1310	WELD, CAM LOAD, RT, DELT	1	114	731-1312	PLATE, COVER, CAM, DELT	4	115	731-1313-XX	BRACKET, PULLEY MOUNT DELT	1	116	731-1316	WELD, CAM LOAD, LT, DELT	1	117	731-1322	COUNTERWEIGHT, DELT RAISE	2	118	731-1332-XX	BRACKET, DUAL PULLEY, DELT RAISE	1	119	731-1349	ASSY, GRIP HANDLE, DELT	2	120	731-1355	BEARING, ROLLER, SEALED, 6202_2R	4	121	731-1357	CAP, BEARING 1 3/4 RND	2	122	731-1359-XX	WELD, ARM PAD, DELT RAISE	2	123	731-1361	WASHER, 32 X 26 X 1.5	4	124	731-1362	SCREW,M6X1.0,45MM,BHC,HK	8	125	731-1363	NUT, M6X1.0, NYLOC	8	126	731-1429	STOP,ROM,DELT	2																																							
E	12	731-0127	RACE,WEAR SLEEVE,CABLE	8	56	731-0510	STICKER,SEAT ADJ,1-9	1	100	731-0828	ASSY,WINDOW,OUTSIDE	1	101	731-0867	SHROUD, SEAT BOTTOM, VERT. ROW	1	102	731-0869	SCREW,M6 X1.0, 25mm, BHS,HK	2	103	731-0870	SHROUD, CHEST PAD, ROW	1	104	731-0922	NUT, M8X1.25, JAM	2	105	731-0972	CAP,FASTENER,THIGH PAD	2	106	731-0973	CAP, THIGH PAD, THRU	2	107	731-0977	ASSY, SEAT RELEASE	1	108	731-0979-XX	WELD, MOUNT, SEAT, LPD	1	109	731-1080-XX	WELD, MAIN FRAME, DELTOID RAISE	1	110	731-1246-00XX	ASSY, ARM PAD, DR	2	111	731-1306	WELD, MOUNT, CHEST PAD, 10 DEG	1	112	731-1308	GUIDE, CHEST PAD, 10 DEG, DELT	1	113	731-1310	WELD, CAM LOAD, RT, DELT	1	114	731-1312	PLATE, COVER, CAM, DELT	4	115	731-1313-XX	BRACKET, PULLEY MOUNT DELT	1	116	731-1316	WELD, CAM LOAD, LT, DELT	1	117	731-1322	COUNTERWEIGHT, DELT RAISE	2	118	731-1332-XX	BRACKET, DUAL PULLEY, DELT RAISE	1	119	731-1349	ASSY, GRIP HANDLE, DELT	2	120	731-1355	BEARING, ROLLER, SEALED, 6202_2R	4	121	731-1357	CAP, BEARING 1 3/4 RND	2	122	731-1359-XX	WELD, ARM PAD, DELT RAISE	2	123	731-1361	WASHER, 32 X 26 X 1.5	4	124	731-1362	SCREW,M6X1.0,45MM,BHC,HK	8	125	731-1363	NUT, M6X1.0, NYLOC	8	126	731-1429	STOP,ROM,DELT	2																																											
D	13	731-0131	BLOCK,PULLEY,Ø120mm	1	57	731-0512	STICKER,WARNING,PINCH	5	101	731-0867	SHROUD, SEAT BOTTOM, VERT. ROW	1	102	731-0869	SCREW,M6 X1.0, 25mm, BHS,HK	2	103	731-0870	SHROUD, CHEST PAD, ROW	1	104	731-0922	NUT, M8X1.25, JAM	2	105	731-0972	CAP,FASTENER,THIGH PAD	2	106	731-0973	CAP, THIGH PAD, THRU	2	107	731-0977	ASSY, SEAT RELEASE	1	108	731-0979-XX	WELD, MOUNT, SEAT, LPD	1	109	731-1080-XX	WELD, MAIN FRAME, DELTOID RAISE	1	110	731-1246-00XX	ASSY, ARM PAD, DR	2	111	731-1306	WELD, MOUNT, CHEST PAD, 10 DEG	1	112	731-1308	GUIDE, CHEST PAD, 10 DEG, DELT	1	113	731-1310	WELD, CAM LOAD, RT, DELT	1	114	731-1312	PLATE, COVER, CAM, DELT	4	115	731-1313-XX	BRACKET, PULLEY MOUNT DELT	1	116	731-1316	WELD, CAM LOAD, LT, DELT	1	117	731-1322	COUNTERWEIGHT, DELT RAISE	2	118	731-1332-XX	BRACKET, DUAL PULLEY, DELT RAISE	1	119	731-1349	ASSY, GRIP HANDLE, DELT	2	120	731-1355	BEARING, ROLLER, SEALED, 6202_2R	4	121	731-1357	CAP, BEARING 1 3/4 RND	2	122	731-1359-XX	WELD, ARM PAD, DELT RAISE	2	123	731-1361	WASHER, 32 X 26 X 1.5	4	124	731-1362	SCREW,M6X1.0,45MM,BHC,HK	8	125	731-1363	NUT, M6X1.0, NYLOC	8	126	731-1429	STOP,ROM,DELT	2																																															
C	14	731-0137	BEARING,52 OD,25 ID,X 15MM	4	58	731-0513	STICKER,STAR TRAC,DECO,45MMX191MM	2	102	731-0869	SCREW,M6 X1.0, 25mm, BHS,HK	2	103	731-0870	SHROUD, CHEST PAD, ROW	1	104	731-0922	NUT, M8X1.25, JAM	2	105	731-0972	CAP,FASTENER,THIGH PAD	2	106	731-0973	CAP, THIGH PAD, THRU	2	107	731-0977	ASSY, SEAT RELEASE	1	108	731-0979-XX	WELD, MOUNT, SEAT, LPD	1	109	731-1080-XX	WELD, MAIN FRAME, DELTOID RAISE	1	110	731-1246-00XX	ASSY, ARM PAD, DR	2	111	731-1306	WELD, MOUNT, CHEST PAD, 10 DEG	1	112	731-1308	GUIDE, CHEST PAD, 10 DEG, DELT	1	113	731-1310	WELD, CAM LOAD, RT, DELT	1	114	731-1312	PLATE, COVER, CAM, DELT	4	115	731-1313-XX	BRACKET, PULLEY MOUNT DELT	1	116	731-1316	WELD, CAM LOAD, LT, DELT	1	117	731-1322	COUNTERWEIGHT, DELT RAISE	2	118	731-1332-XX	BRACKET, DUAL PULLEY, DELT RAISE	1	119	731-1349	ASSY, GRIP HANDLE, DELT	2	120	731-1355	BEARING, ROLLER, SEALED, 6202_2R																																																																												

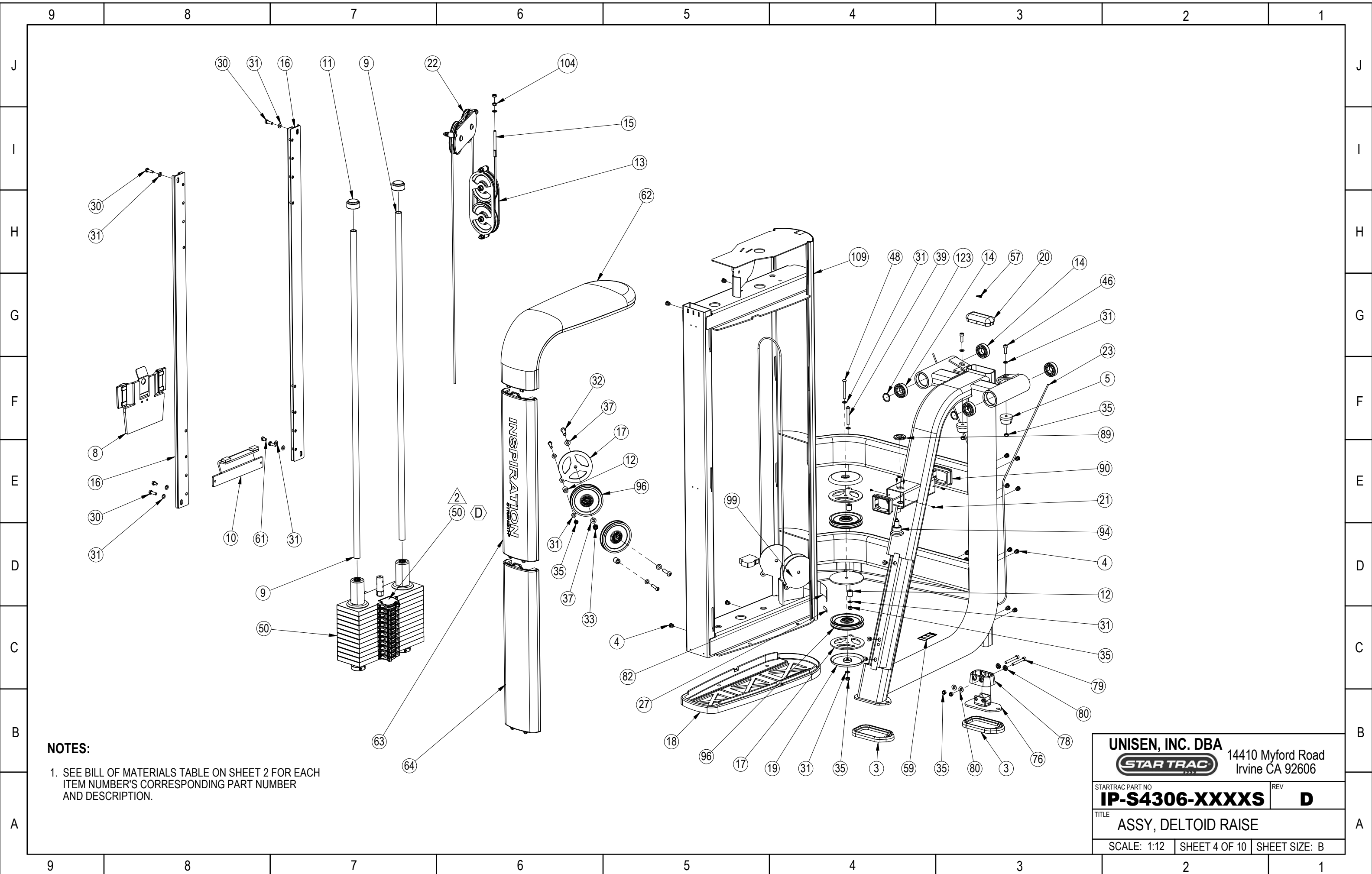


UNISEN, INC. DBA
STAR TRAC 14410 Myford Road
 Irvine CA 92606


STARTRAC PART NO
IP-S4306-XXXXS REV **D**

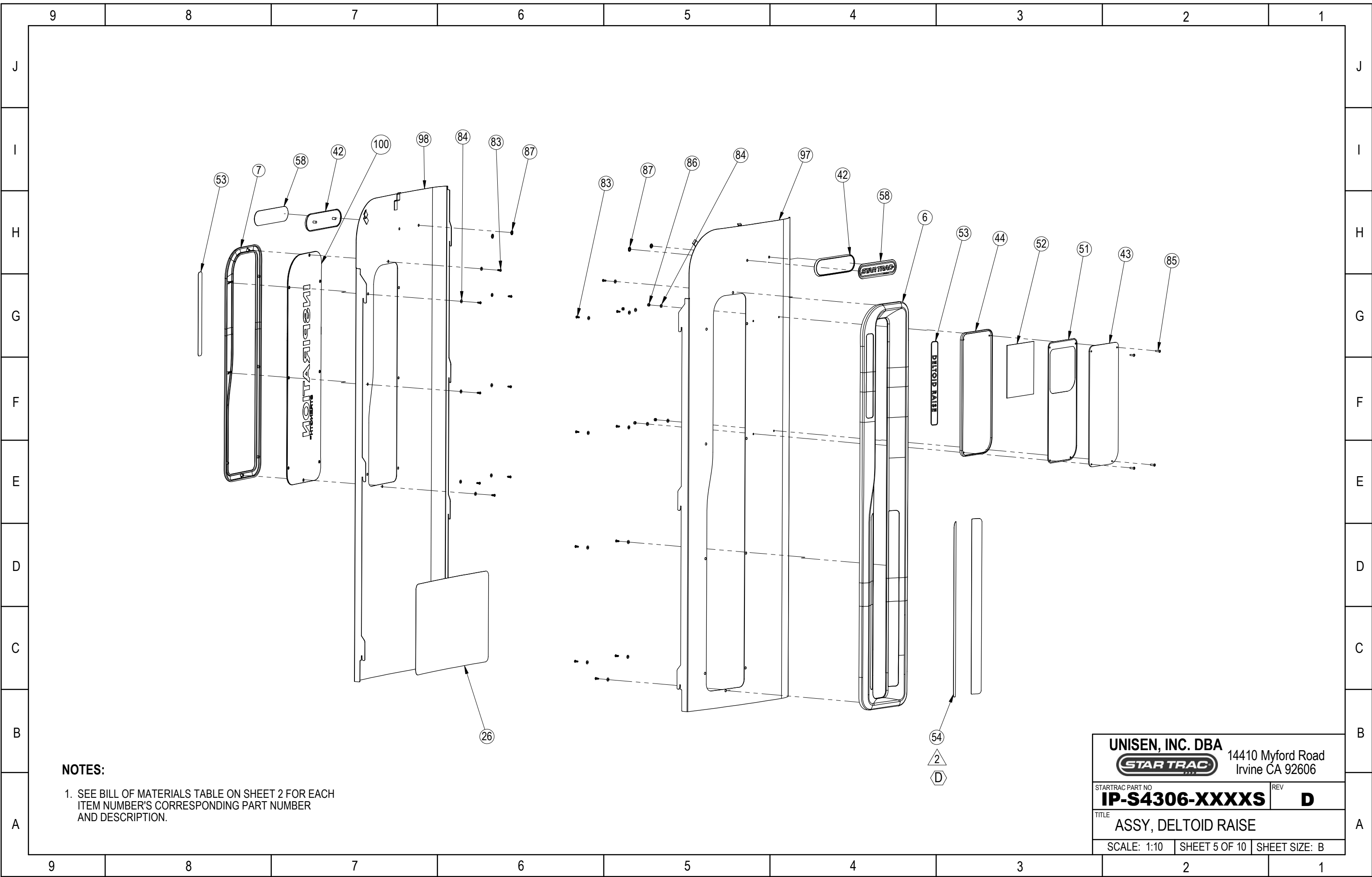
TITLE
ASSY, DELTOID RAISE

SCALE: 1:12 SHEET 3 OF 10 SHEET SIZE: B



NOTES:
 1. SEE BILL OF MATERIALS TABLE ON SHEET 2 FOR EACH ITEM NUMBER'S CORRESPONDING PART NUMBER AND DESCRIPTION.

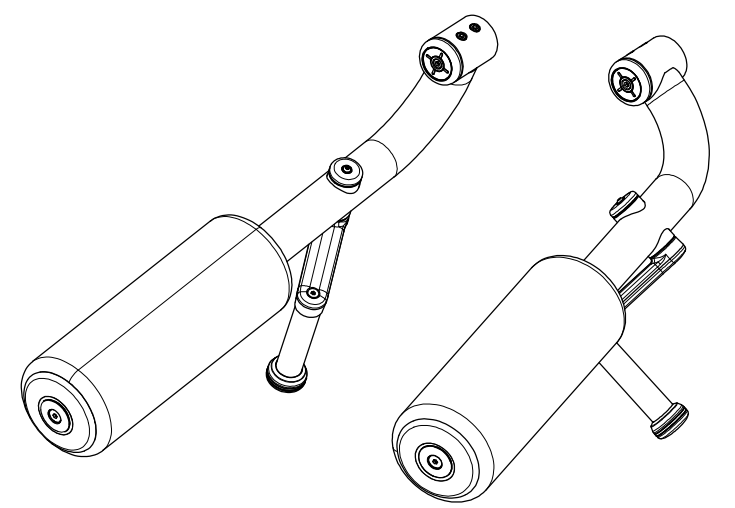
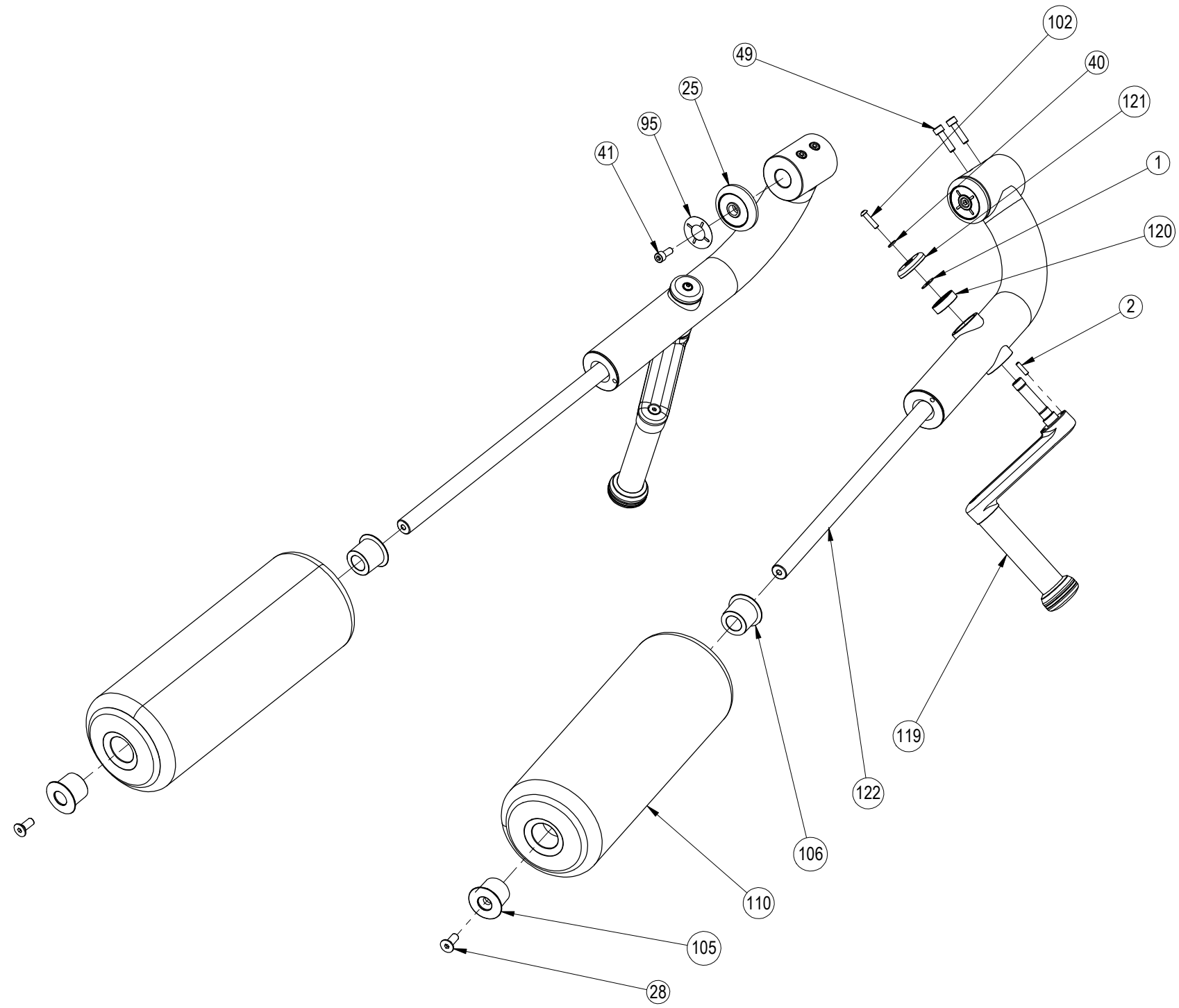
UNISEN, INC. DBA 		14410 Myford Road Irvine CA 92606	
STARTRAC PART NO IP-S4306-XXXXS		REV D	
TITLE ASSY, DELTOID RAISE			
SCALE: 1:12		SHEET 4 OF 10	
SHEET SIZE: B			



NOTES:

1. SEE BILL OF MATERIALS TABLE ON SHEET 2 FOR EACH ITEM NUMBER'S CORRESPONDING PART NUMBER AND DESCRIPTION.

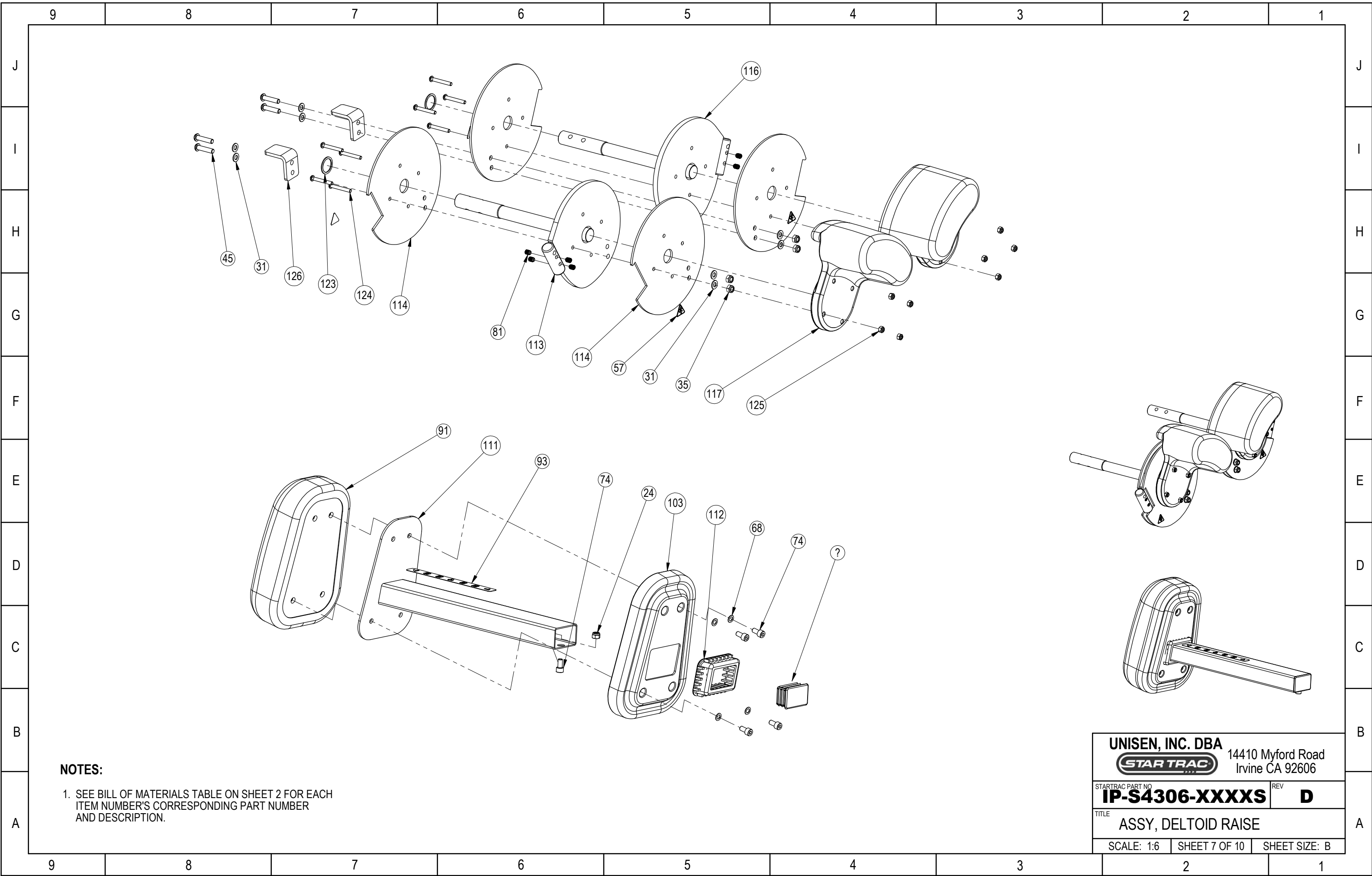
UNISEN, INC. DBA		14410 Myford Road Irvine CA 92606	
STARTRAC PART NO	IP-S4306-XXXXS	REV	D
TITLE ASSY, DELTOID RAISE			
SCALE: 1:10	SHEET 5 OF 10	SHEET SIZE: B	



NOTES:

1. SEE BILL OF MATERIALS TABLE ON SHEET 2 FOR EACH ITEM NUMBER'S CORRESPONDING PART NUMBER AND DESCRIPTION.

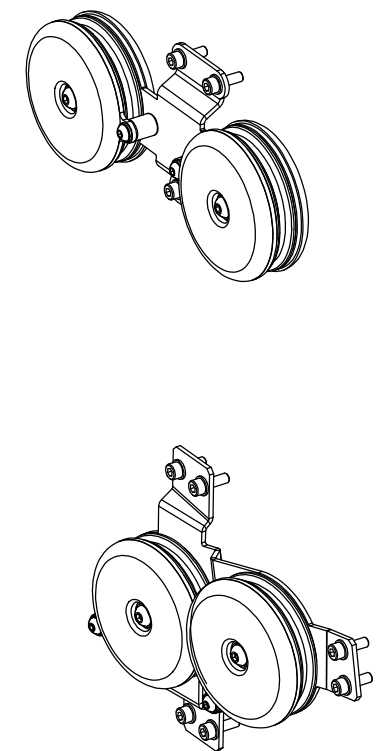
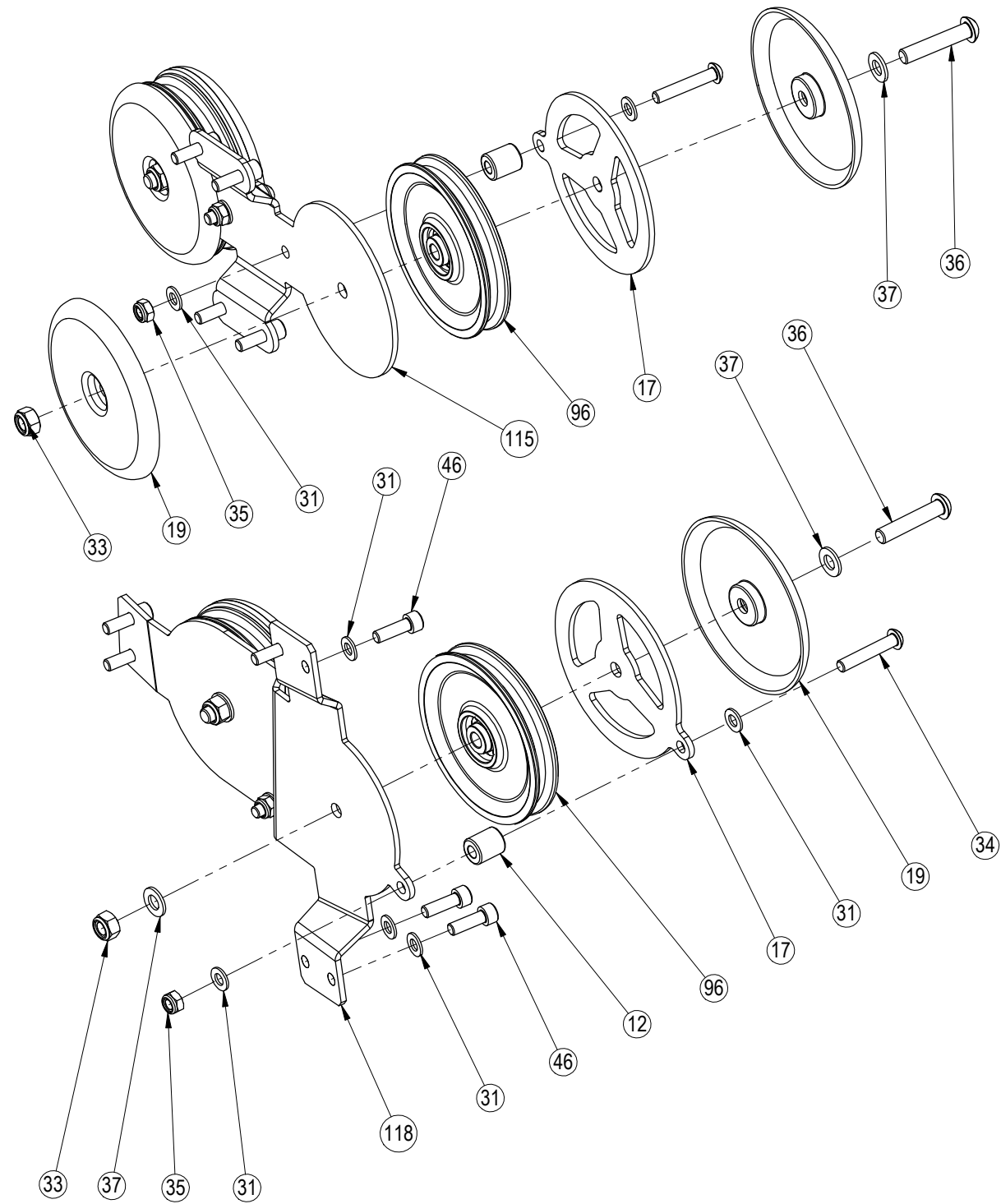
UNISEN, INC. DBA		14410 Myford Road Irvine CA 92606	
STARTRAC PART NO	IP-S4306-XXXXS		REV D
TITLE	ASSY, DELTOID RAISE		
SCALE: 1:6	SHEET 6 OF 10	SHEET SIZE: B	



NOTES:

1. SEE BILL OF MATERIALS TABLE ON SHEET 2 FOR EACH ITEM NUMBER'S CORRESPONDING PART NUMBER AND DESCRIPTION.

UNISEN, INC. DBA		14410 Myford Road Irvine CA 92606	
STARTRAC			
STARTRAC PART NO	IP-S4306-XXXXS	REV	D
TITLE ASSY, DELTOID RAISE			
SCALE: 1:6	SHEET 7 OF 10	SHEET SIZE: B	



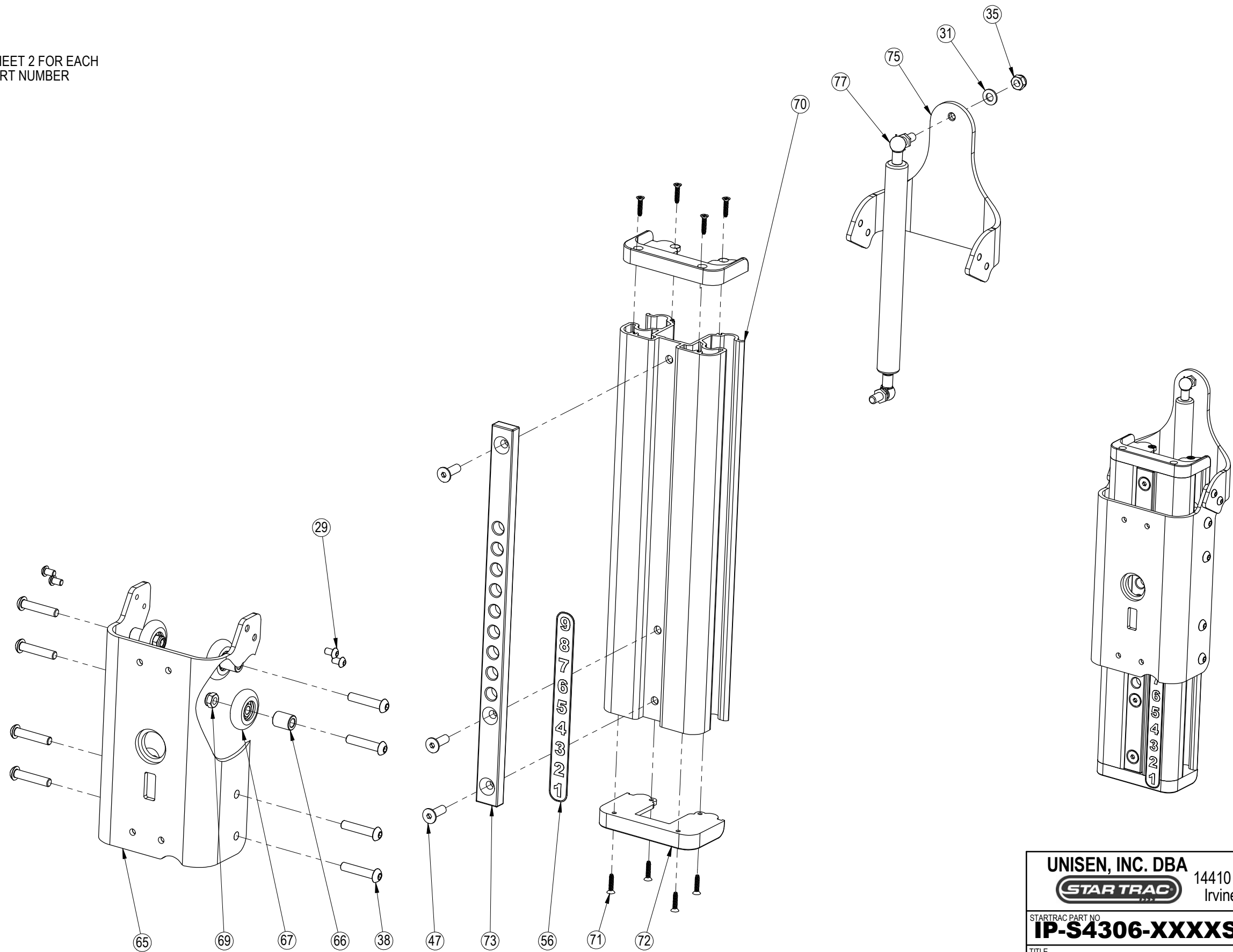
NOTES:

1. SEE BILL OF MATERIALS TABLE ON SHEET 2 FOR EACH ITEM NUMBER'S CORRESPONDING PART NUMBER AND DESCRIPTION.

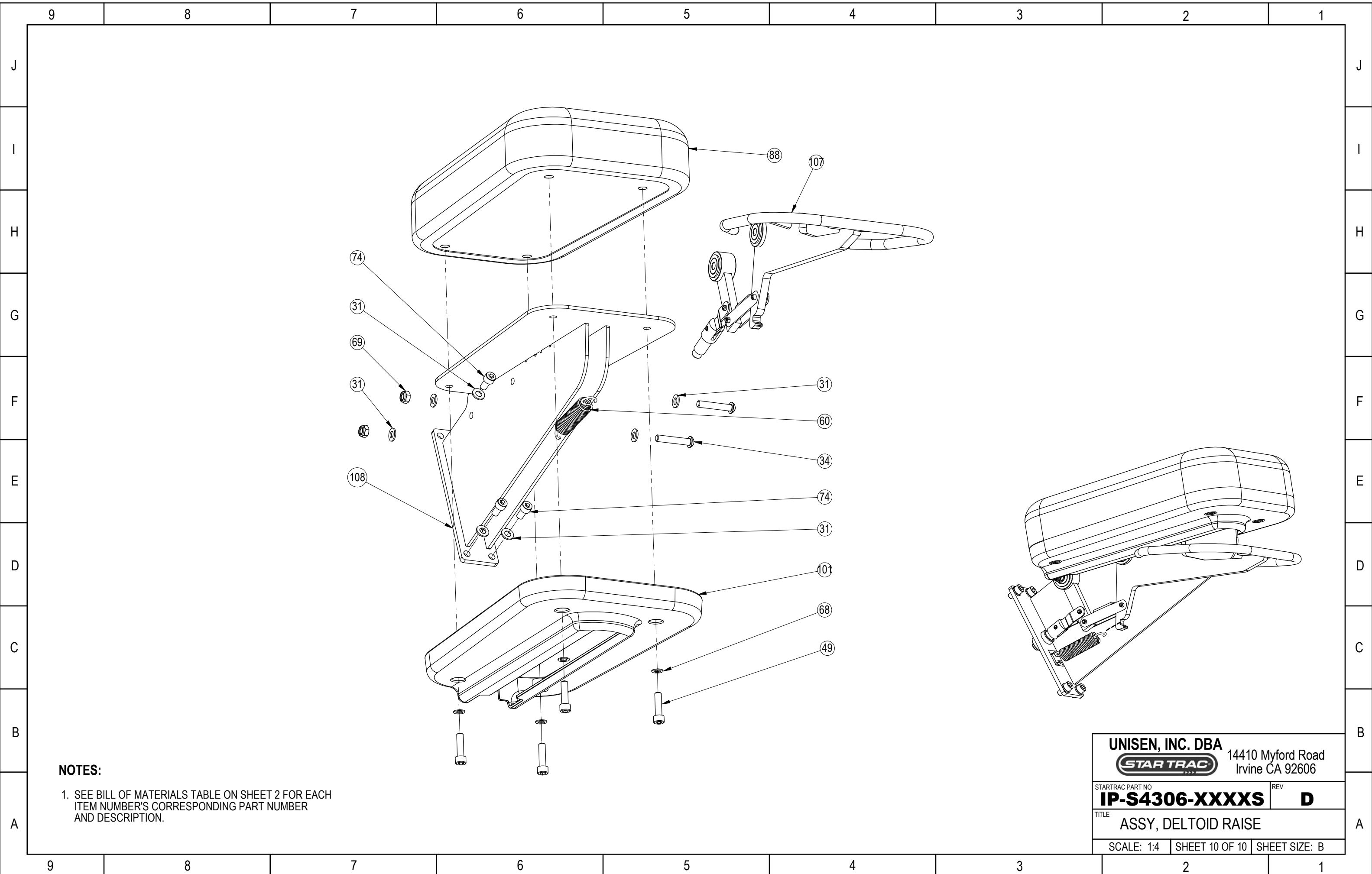
UNISEN, INC. DBA 		14410 Myford Road Irvine CA 92606	
<small>STARTRAC PART NO</small> IP-S4306-XXXXS		<small>REV</small> D	
<small>TITLE</small> ASSY, DELTOID RAISE			
<small>SCALE: 1:4</small>	<small>SHEET 8 OF 10</small>	<small>SHEET SIZE: B</small>	

NOTES:

1. SEE BILL OF MATERIALS TABLE ON SHEET 2 FOR EACH ITEM NUMBER'S CORRESPONDING PART NUMBER AND DESCRIPTION.




UNISEN, INC. DBA		14410 Myford Road	
STARTRAC		Irvine CA 92606	
STARTRAC PART NO	IP-S4306-XXXXS		REV D
TITLE ASSY, DELTOID RAISE			
SCALE: 1:4	SHEET 9 OF 10	SHEET SIZE: B	



NOTES:

1. SEE BILL OF MATERIALS TABLE ON SHEET 2 FOR EACH ITEM NUMBER'S CORRESPONDING PART NUMBER AND DESCRIPTION.

UNISEN, INC. DBA 		14410 Myford Road Irvine CA 92606	
<small>STARTRAC PART NO</small> IP-S4306-XXXXS	<small>REV</small> D	<small>TITLE</small> ASSY, DELTOID RAISE	
<small>SCALE: 1:4</small>	<small>SHEET 10 OF 10</small>	<small>SHEET SIZE: B</small>	